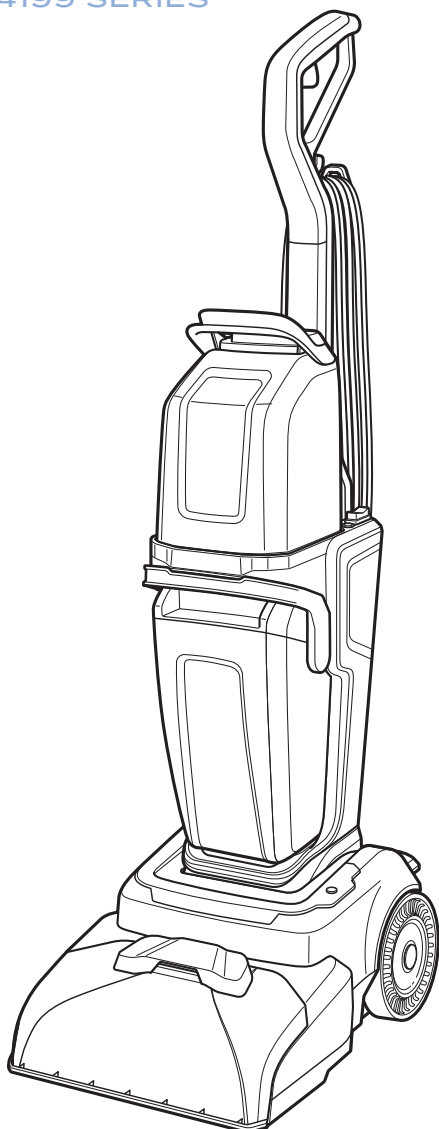




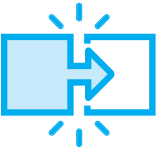
# POWERWASH HYDROSTEAM®

4199 SERIES





.....3



.....4



.....5



.....6



.....8



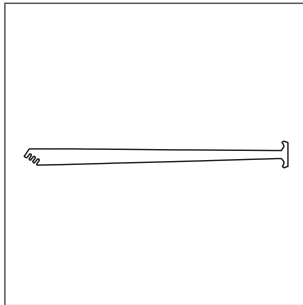
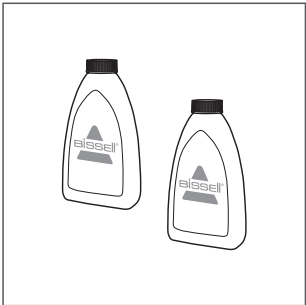
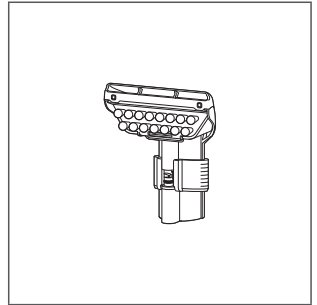
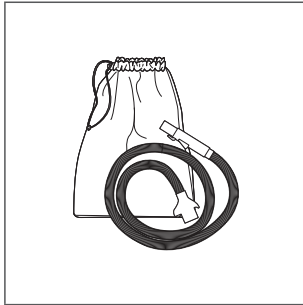
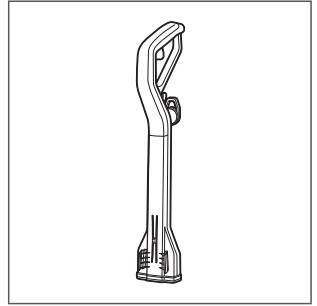
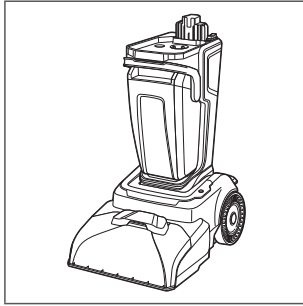
.....9

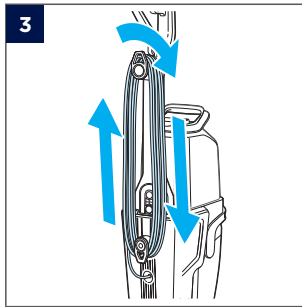
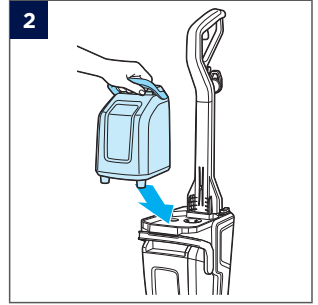
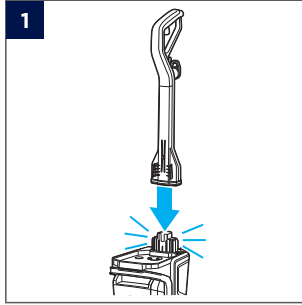
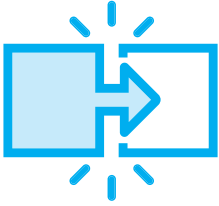


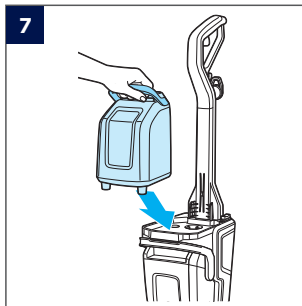
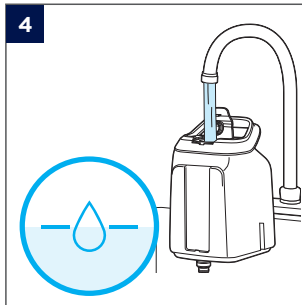
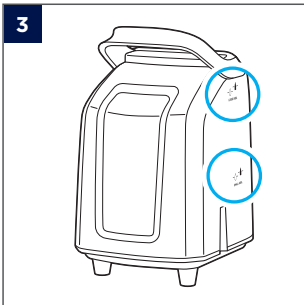
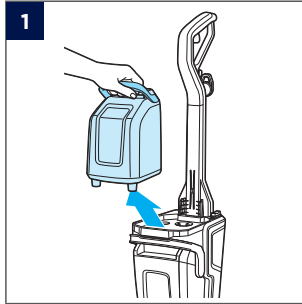
.....10



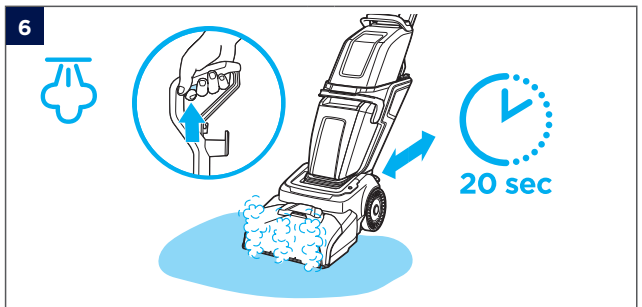
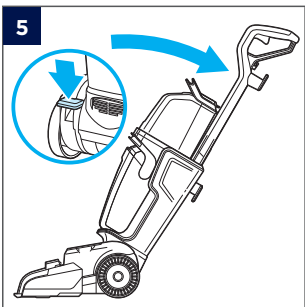
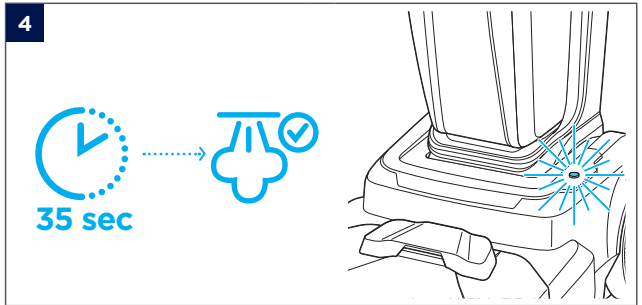
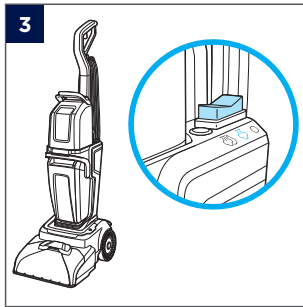
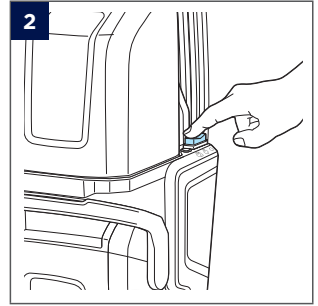
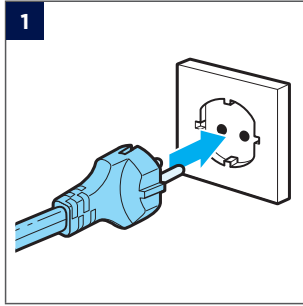
..... 11

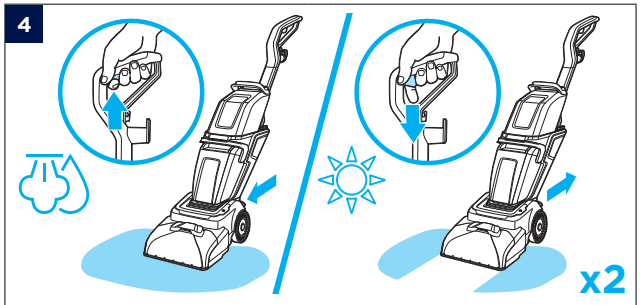
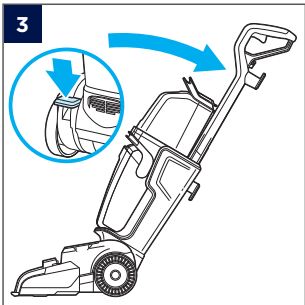
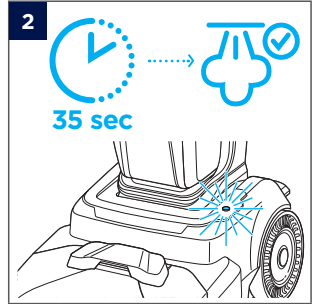
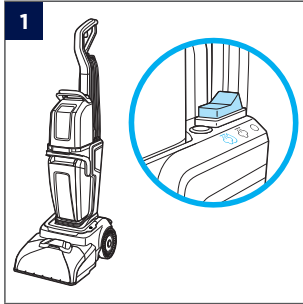


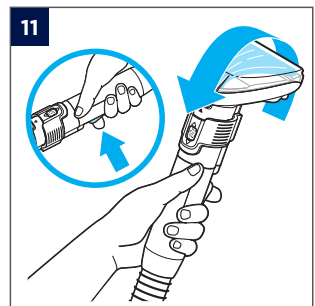
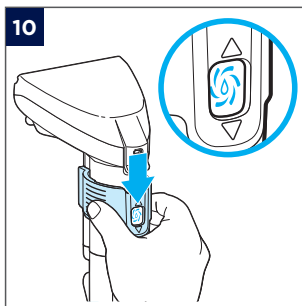
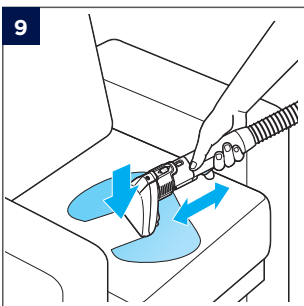
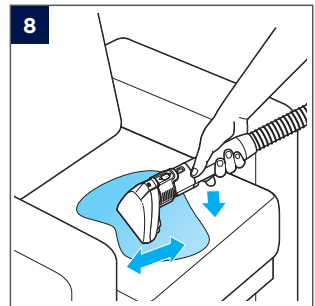
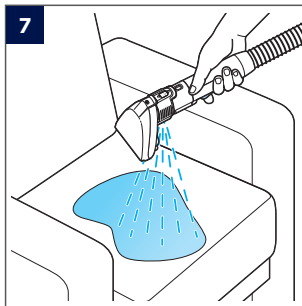
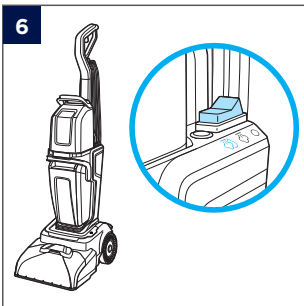
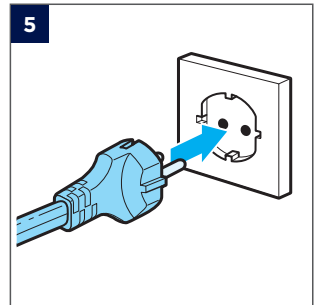
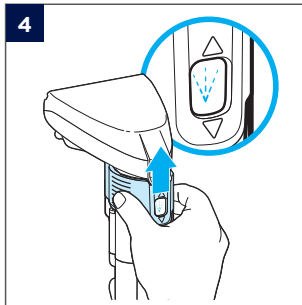
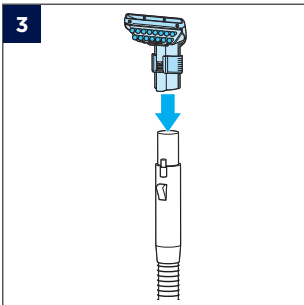
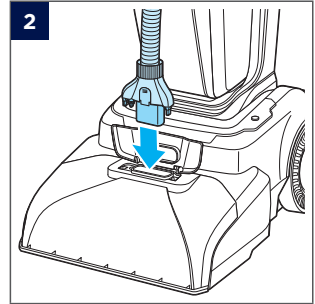
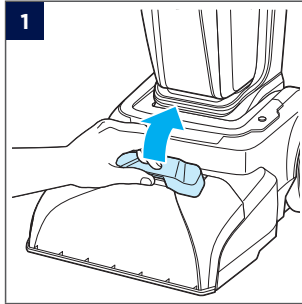


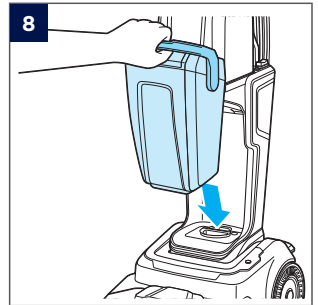
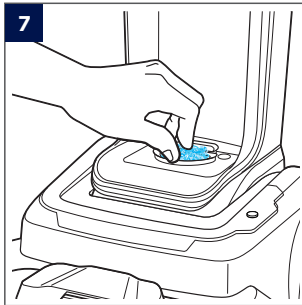
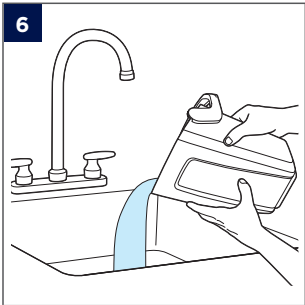
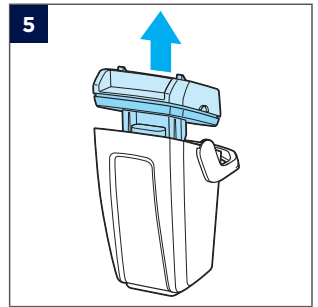
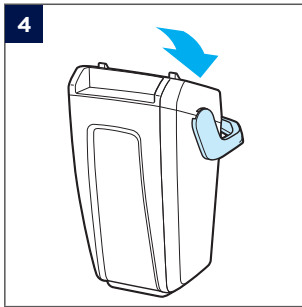
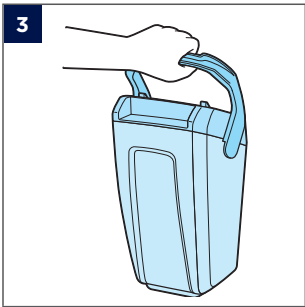
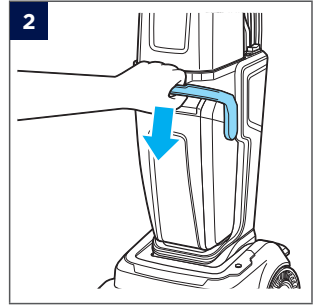
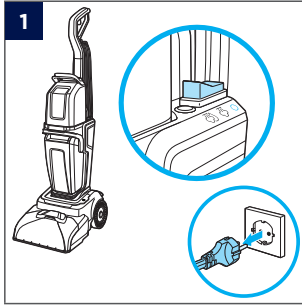
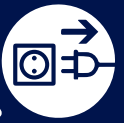


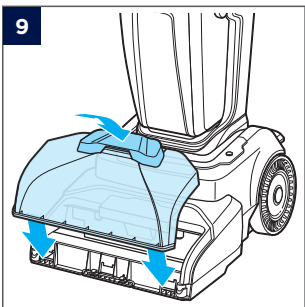
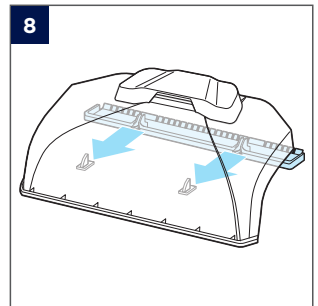
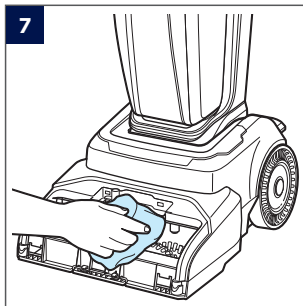
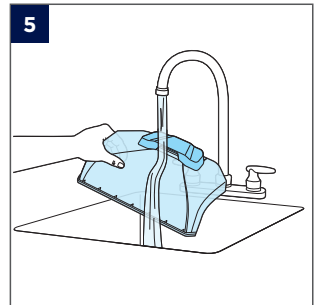
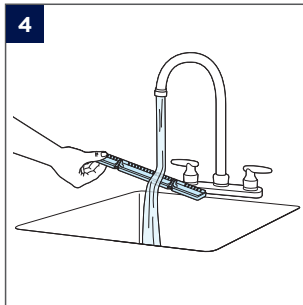
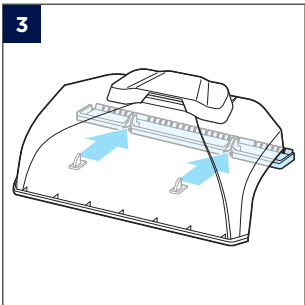
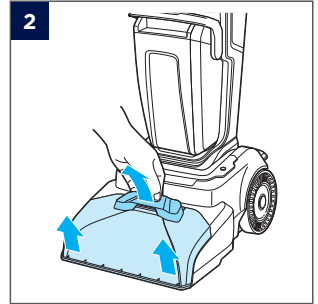
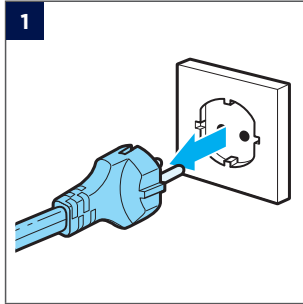
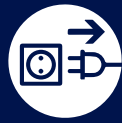
 Wash & Protect Pro Stain & Odour, Wash & Protect Pet Stain & Odour, Wash & Protect Stain & Odour, Stain Pretreat, Pet Stain Pretreat, Oxy Boost, Natural Carpet Deep Cleaning Solution, Natural Pet Carpet Deep Cleaning Solution.

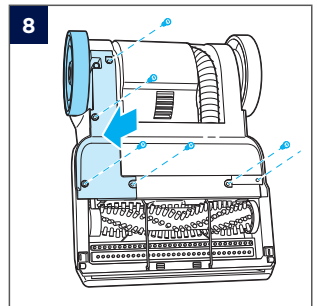
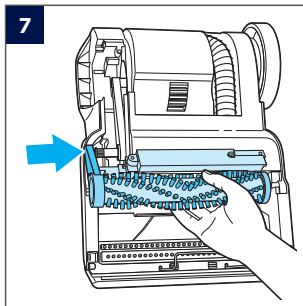
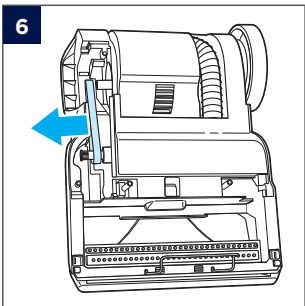
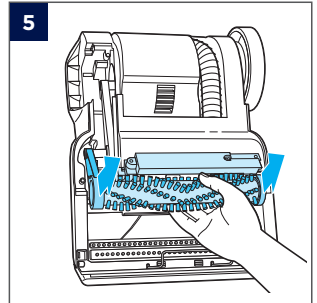
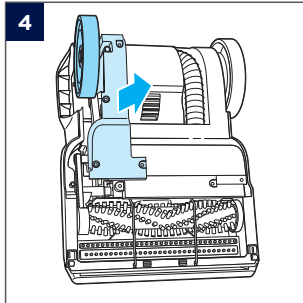
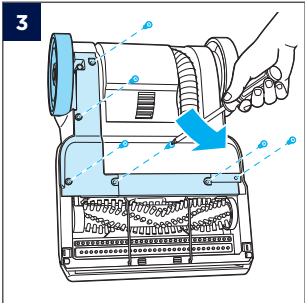
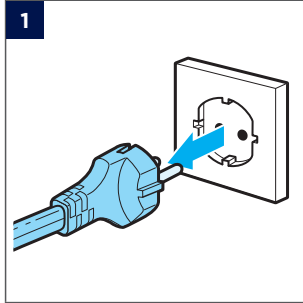
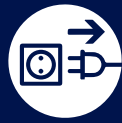














©2025 BISSELL Inc. All rights reserved.  
Part Number 1647039 03/25 v6  
global.BISSELL.com



SGK Germany GmbH  
SGK is a Matthews International Corporation  
Magdeburger Kamp 5 | D-38544 Goslar | www.sgkinc.com

Customer Service

**Andreas Hochheim**

phone: +49 5321 3715 560  
mail: andreas.hochheim@sgkinc.com

Motiv/Artwork

**1647039 - Yoshi User Guide Pictorial**

Auftragsnr./Job no  
404026649-A

Status/Job status  
5. Autorenkorrektur

Kd-nr./Customer no  
folgt, 4199N

Kunde/Customer  
BISSELL INT. TRADING CO BV

Markenartikler/Brandowner  
BISSELL INT. TRADING CO BV

Rasterweite/Screen  
/

Datum/Date  
18.03.2025


Notizen/Information

Cyan 

Magenta 

Yellow 

Black 

PANTONE 281 C 

**This Page will be deleted with the approval**

Bitte kontrollieren Sie, auch bei geringfügigen Änderungen, den gesamten Korrekturabzug sorgfältig und geben uns diesen schriftlich frei.  
Please check this proof thoroughly. Even with smallest changes the whole proof has to be checked. The approval has to be in writing.